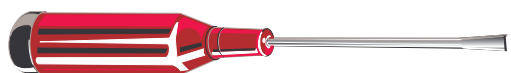
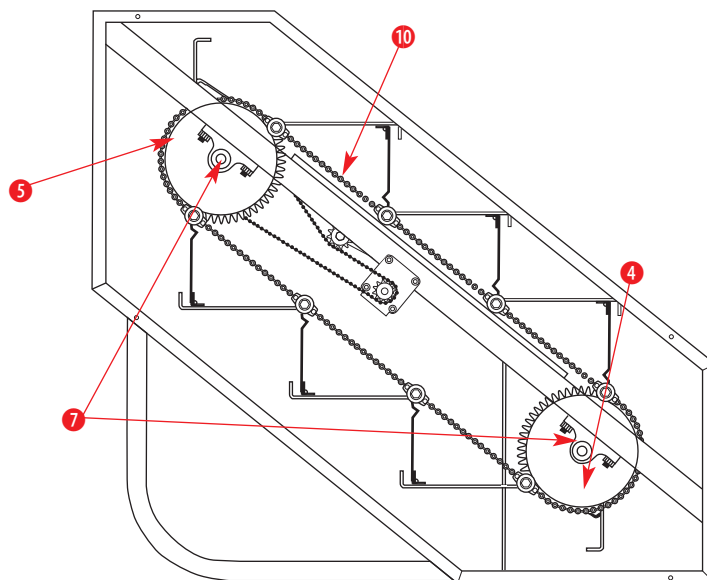


# NGS Schematics

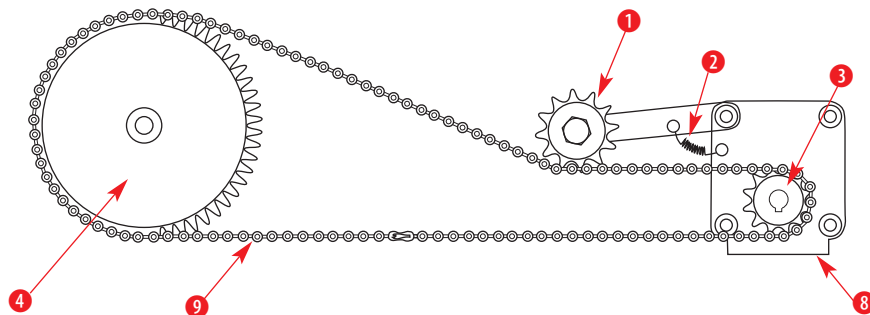


## Stepmill 7000 Step and Drive Chain Assemblies

### STEP ASSEMBLY



### DRIVE CHAIN ASSEMBLY



#### Step Assembly

4	SML027	Lower Sprocket
5	SML028	Upper Sprocket
7	SML045	Pillow Block Bearing
10	SML050	Chain Assembly

#### Drive Chain Assembly

1	SML020	Idler Sprocket
2	SML025	Spring for Idler Arm
3	SML030	Sprocket, 12-Tooth
4	SML027	Lower Sprocket
8	SM014	Transmission
9	SML015	Drive Chain